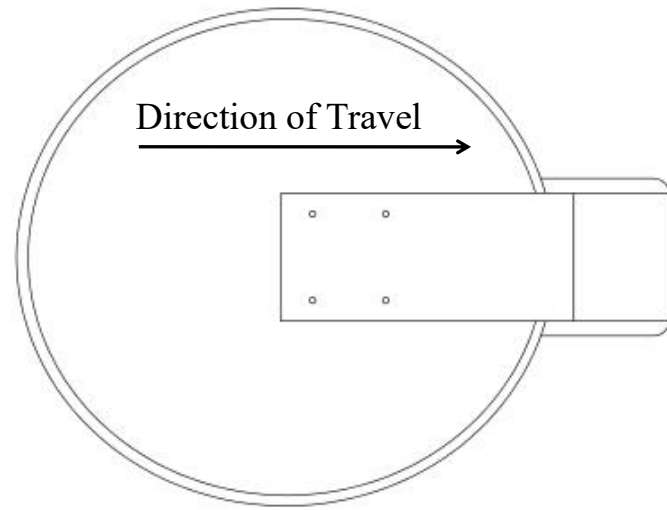
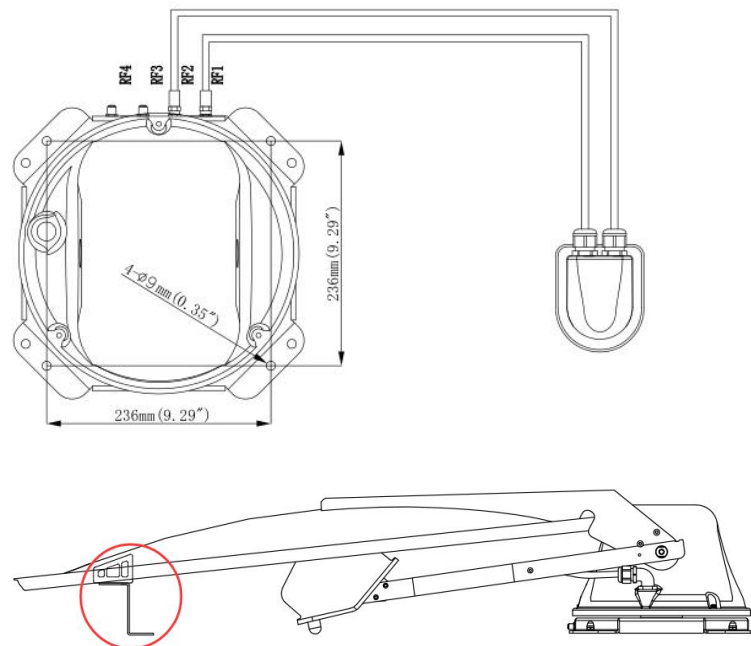


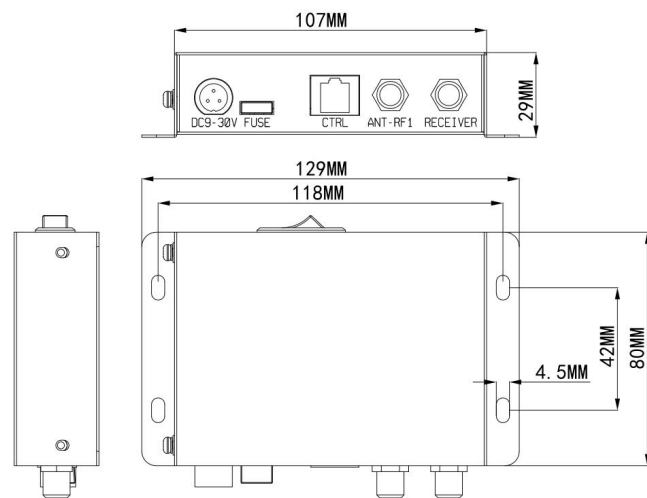
### 1. Select a location for the ODU



### 2. Mount the ODU



### 3. Mount the IDU Power Supply

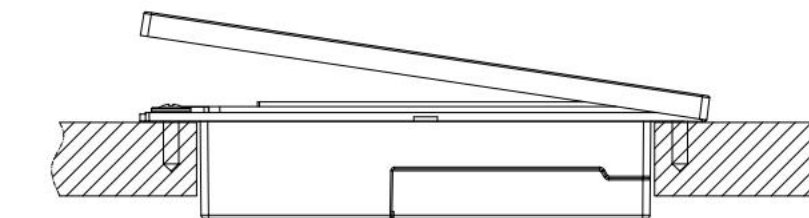
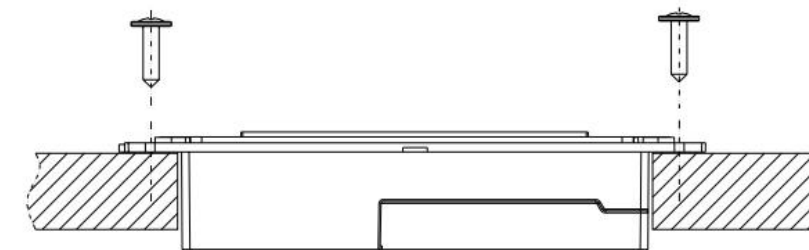
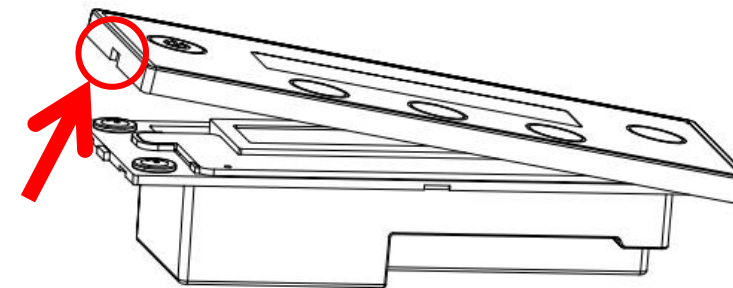
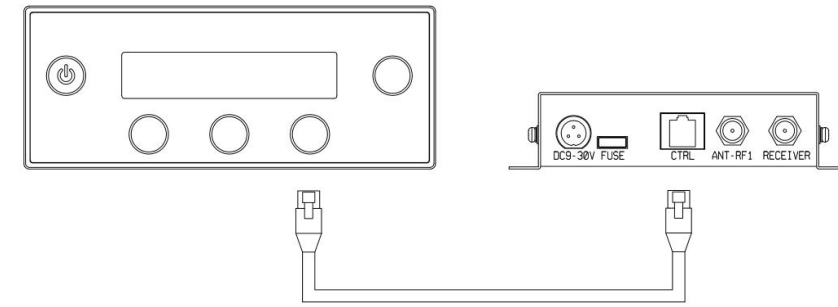
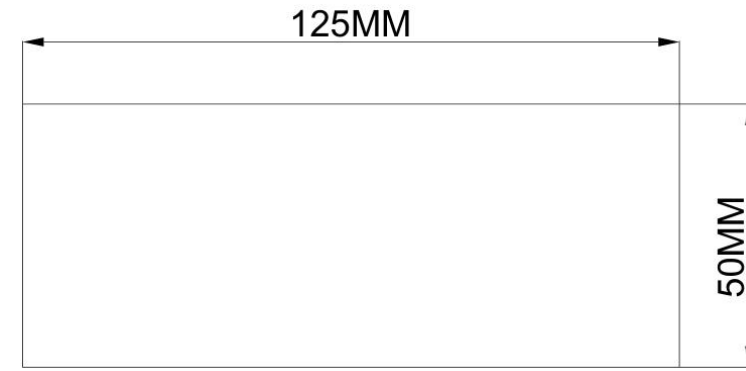


- Pick an area on the roof of your mobile home that will allow the ODU to be mounted as flat and level and strong as possible. With good support that will permit the dish, once fitted and raised, to have a full 360 degree rotation and elevation range.
- **Mind the direction of Travel.**

- Drill the mounting holes and cable access hole to prepare the site for installation.
- Ensure that all screw fixings are covered with sealant to ensure that there are no leaks into the RV.

#### ● Mount the Bump Stop.

- A dry secure location is required for the IDU to be mounted.
- Drill the mounting holes and prepare the location for installation.



- Choose a suitable location for the IDU Touch Panel.
- Flush Mount - A square hole with length 125mm and width 50mm is required for the IDU mounting.
- **Make sure there is nothing behind where you are cutting.**
- Carefully connect the Cable between IDU Touch Panel and Power Supply of the IDU.
- The length of RJ45 ethernet cable you use should be within 8 meters.

- The IDU is required to be opened to access the four mounting screw holes.

- **Carefully open the top of the Touch Panel from the notched side.**

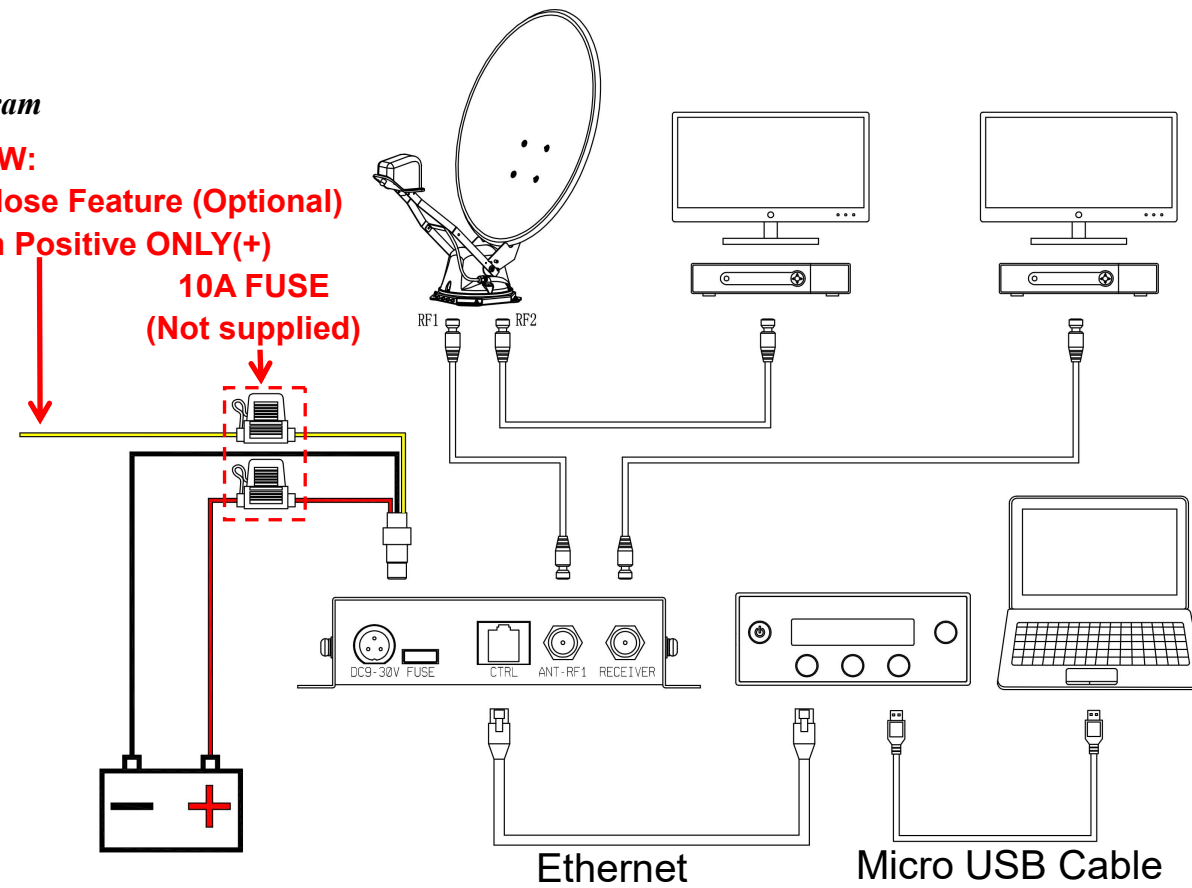
- Use the four screws provided to mount the IDU to the wall.

- Carefully refit the touch panel to the IDU.

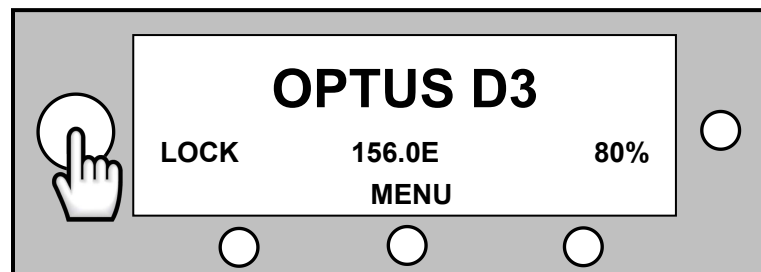
#### 4. Wiring Diagram

**YELLOW:**  
Auto Close Feature (Optional)  
Ignition Positive ONLY(+)

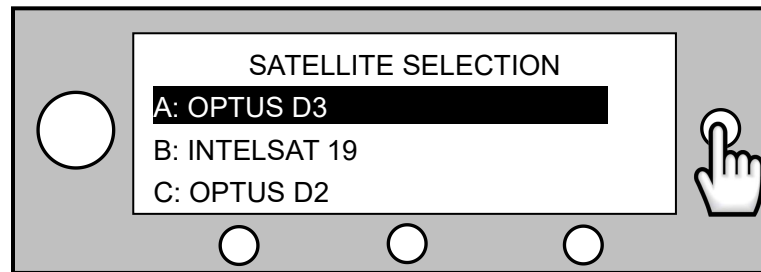
**10A FUSE**  
(Not supplied)



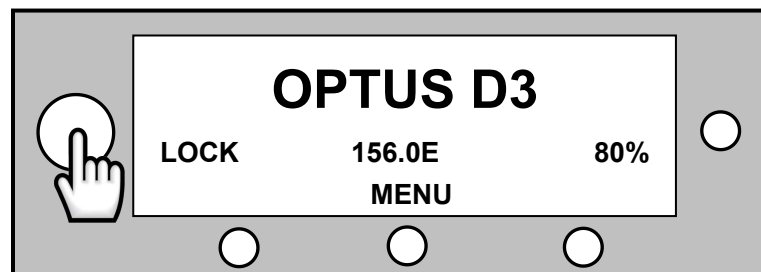
#### 5. Search Satellite



#### 6. One-button to change the target satellite



#### 7. Close system



- Press **ON/OFF** will search satellite. Then antenna will lock onto target satellite automatically.
- Press **Function** key can change the target satellite which you want in the list.
- Wait for 3 second, the target satellite will be selected automatically and tracked by the antenna. And it will return to **Normal Mode** automatically at the same time.
- If you use ignition stow function you install at vehicle, the system will automatically shut down dish on vehicle startup.
- **OR** press **ON/OFF**. Antenna system will retract to shut down position.
- **Before you driving, please confirm the dish is completely retract to shut down position.**

# HALO 85cm DISH Quick Start Guide



To View the UEC website and access the latest documentation.  
<https://uec.com.au/halo-85cm-documents>